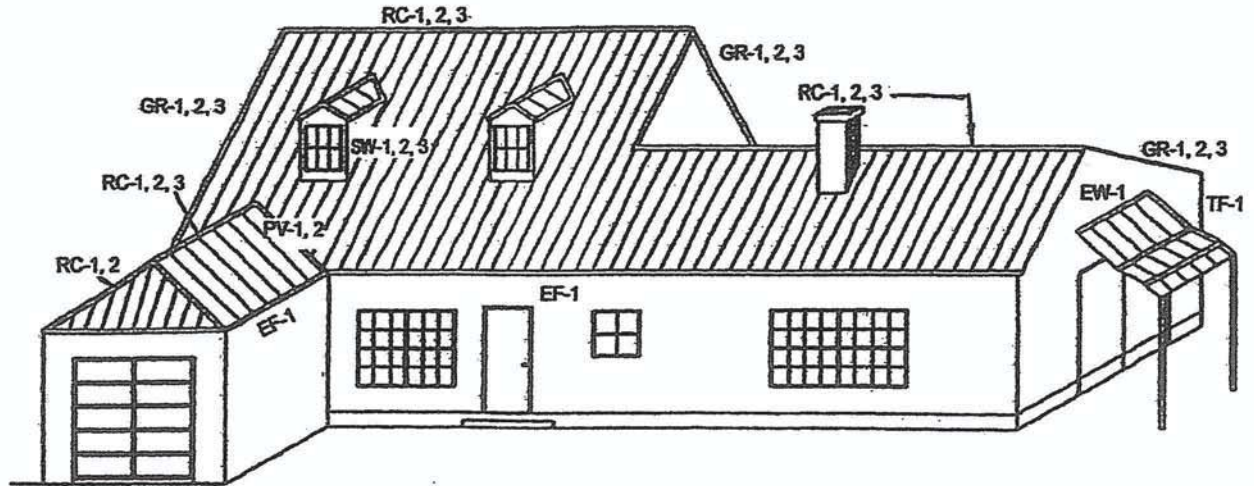


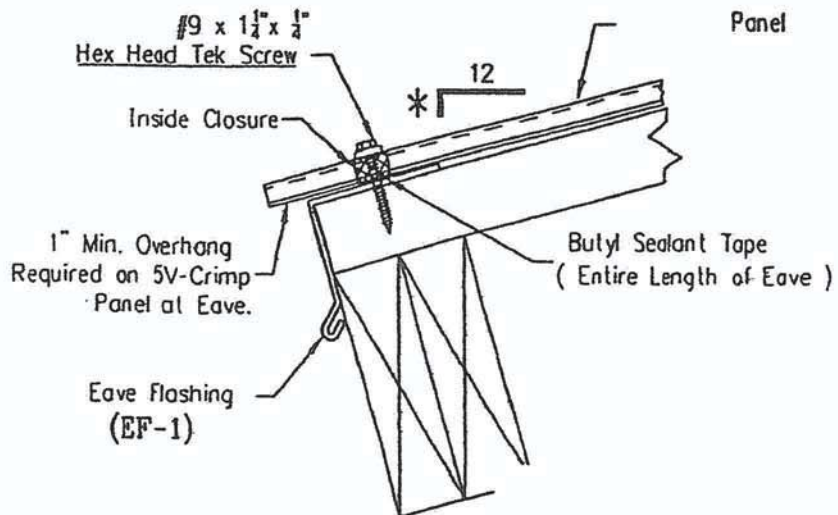
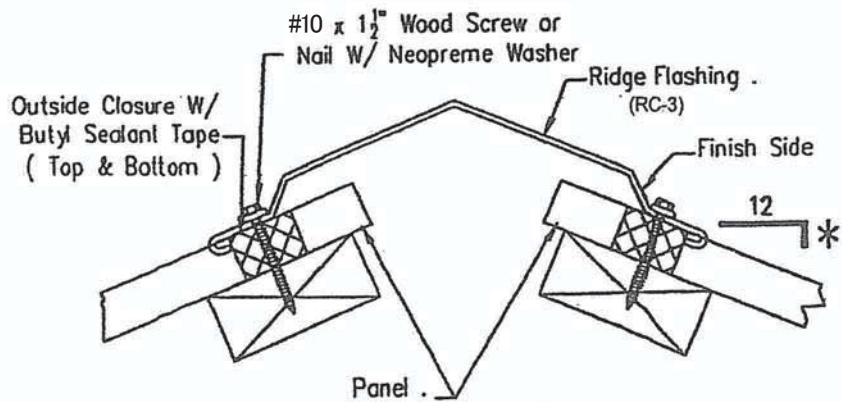
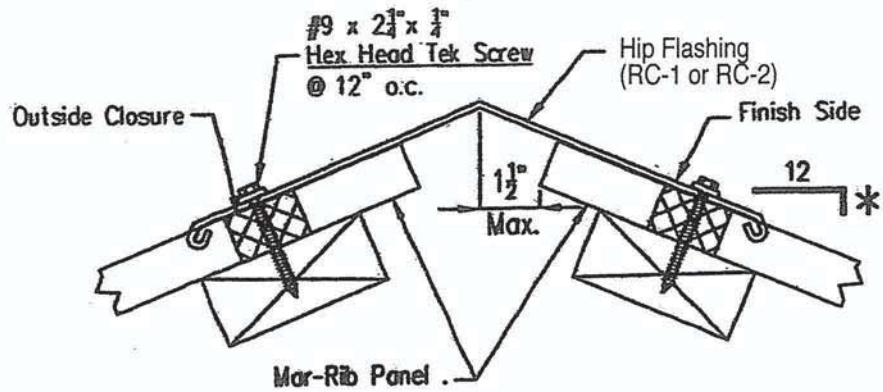
## PBR/5V-CRIMP/MAR-RIB PANEL ACCESSORIES



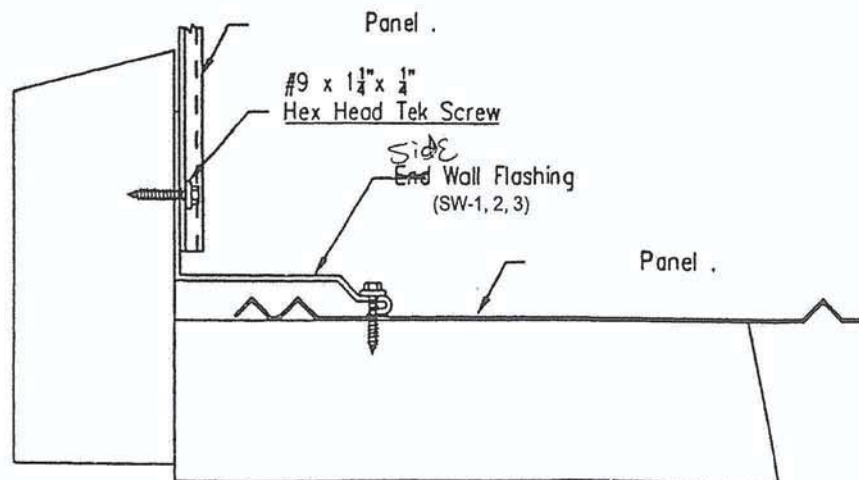
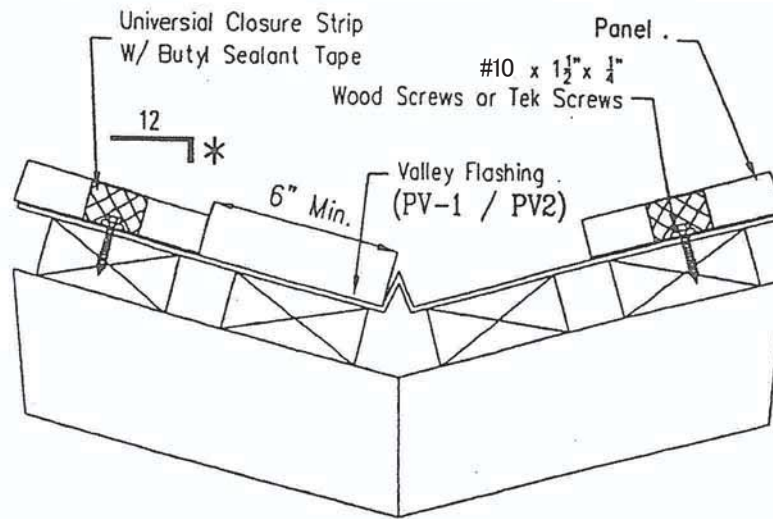
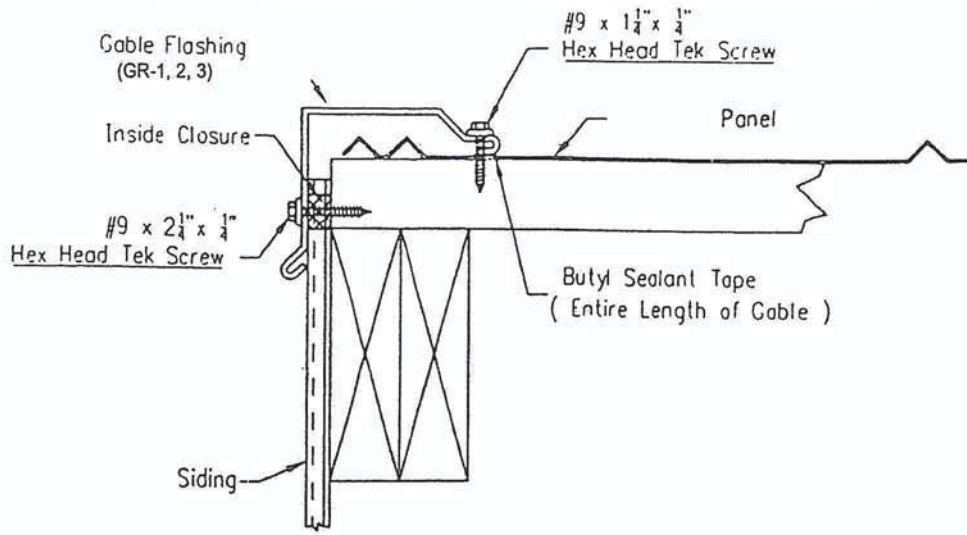
RC-1/RC-2	Ridge/Hip Cap.....	See pages 22 & 27
RC-3	Ridge Cap.....	See pages 22 & 27
EF-1	Eave Flashing.....	See pages 22 & 27
GR-1,2,3	Gable/Rake.....	See pages 23 & 27
PV-1/PV-2	Preformed Valley.....	See pages 23,27 & 28
TF-1	Transition Flashing.....	See pages 24 & 28
SW-1,2,3	Sidewall Flashing.....	See pages 23 & 28
EW-1	Endwall Flashing.....	See pages 24 & 28
JC-1,2,3	J-Channel.....	See pages 28 & 29
JT-1	Jamb Trim.....	See pages 29
BT-1	Base Trim.....	See pages 29
IC-1/IC-2	Inside Corner.....	See pages 29
CT-1/CT-2	Outside Corner.....	See pages 29
EG-1	Eave Gutter.....	See pages 30
HG-1	Hang on Gutter.....	See pages 30
SG-1/SG-2	Sculptured Eave Gutter.....	See pages 30
SG-3/SG-4	Sculptured Hang on Gutter.....	See pages 30
SR-1/SR-2	Sculptured Rake.....	See pages 30 & 31
SD-1	Step Down Rake.....	See pages 30
DOWNSPOUT	Downspout.....	See pages 31
KICKOUT	Kickout.....	See pages 31
PEAK/CORNER	Peak and Corner Box.....	See page 31

**\*\*The following installation instructions are standard only and not for use in High Velocity areas. Please ask a sales representative for High Velocity details.**

## STANDARD TRIM INSTALLATION DETAILS

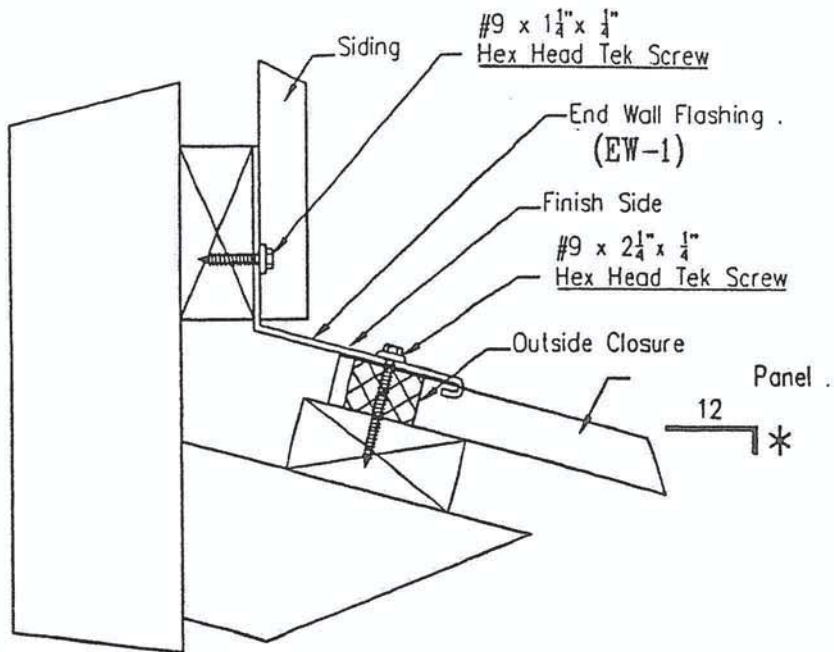
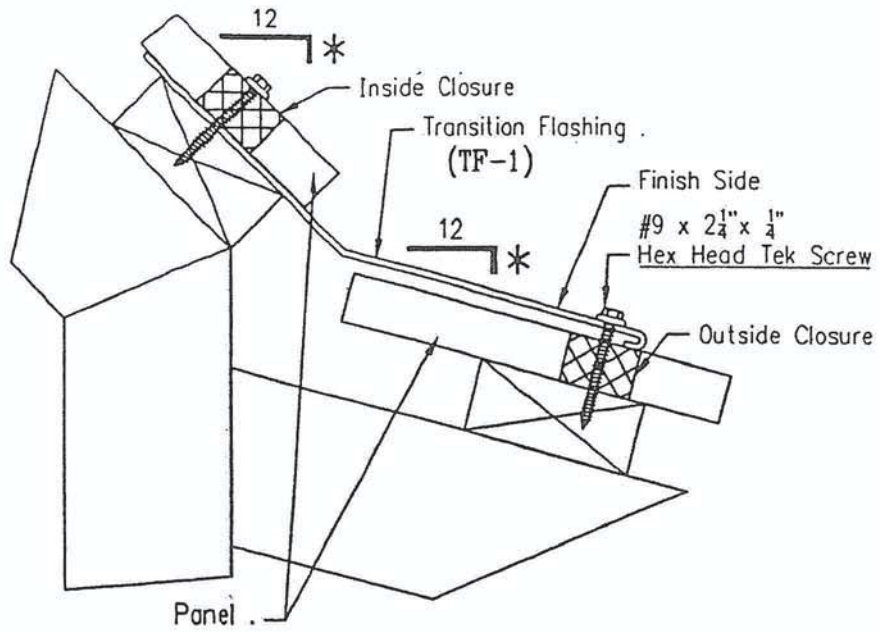


# STANDARD TRIM INSTALLATION DETAILS

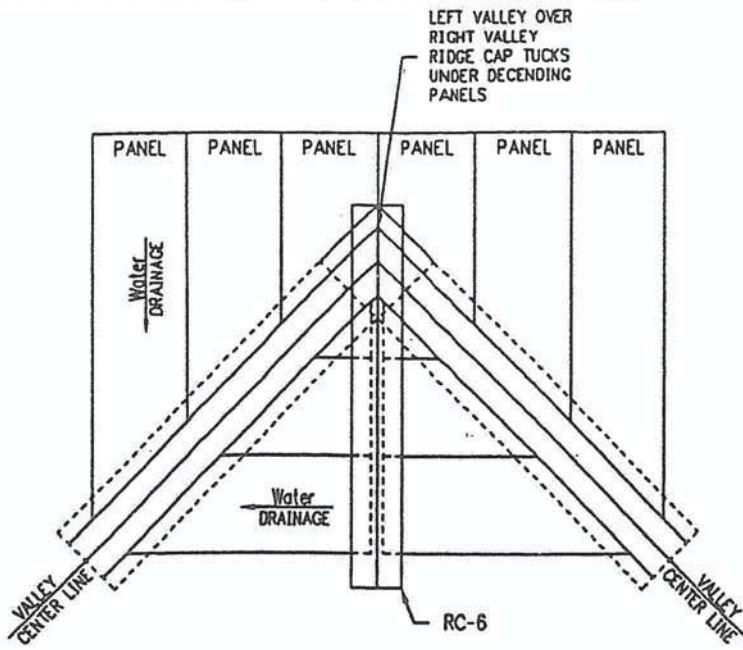




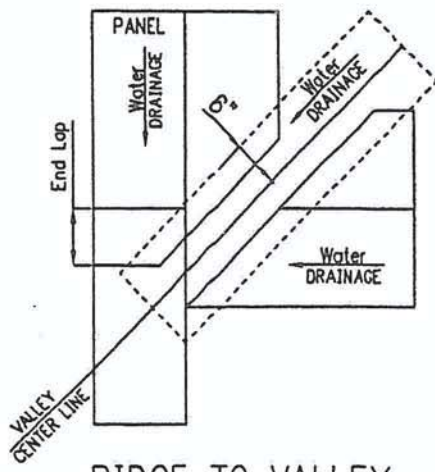
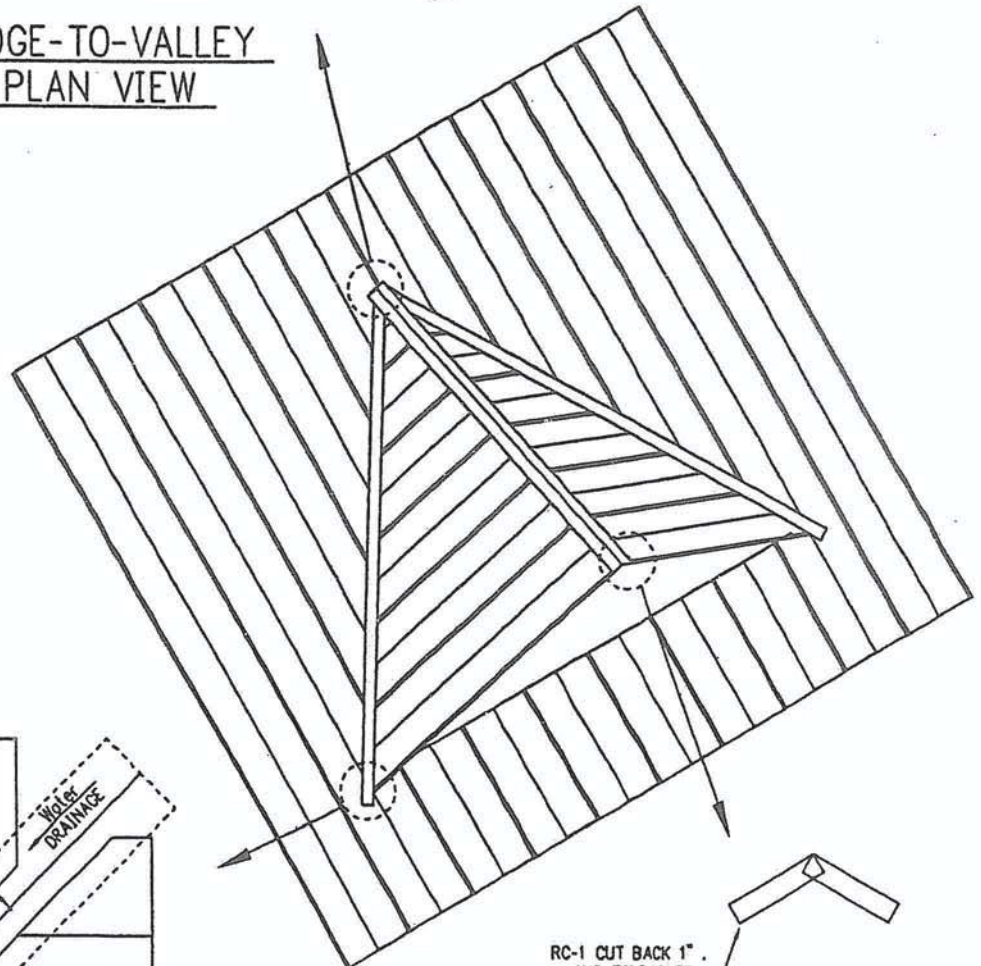
# STANDARD TRIM INSTALLATION DETAILS



# Dormer Detail



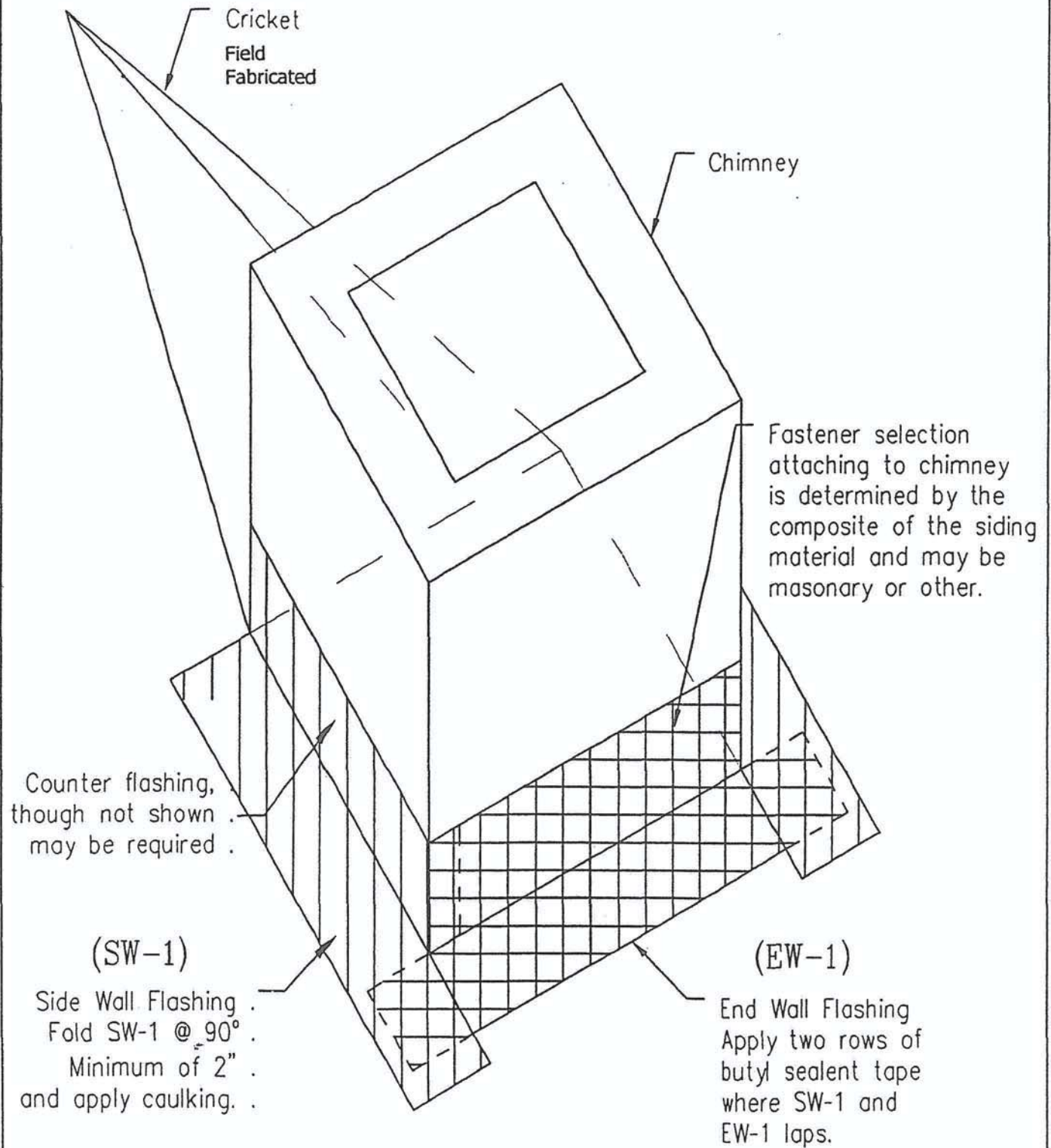
RIDGE-TO-VALLEY  
PLAN VIEW



RIDGE-TO-VALLEY

RC-1 CUT BACK 1" .  
AND FOLD OVER .  
"C" ( 2" for VENTED RIDGE ) .

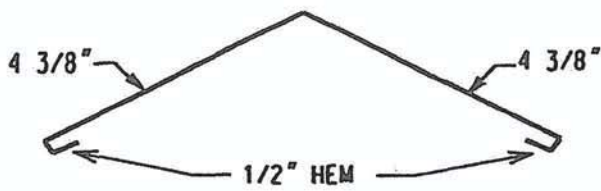
RC-1 END VIEW  
METAL ROOFING  
AND GR-4 NOT SHOWN  
FOR CLAIRTY



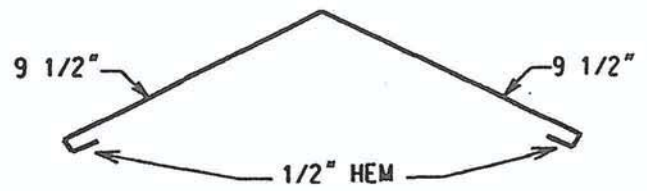
## Chimney and Cricket Detail



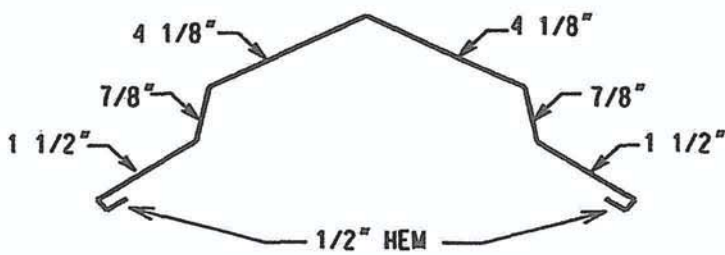
## STANDARD TRIM DETAILS



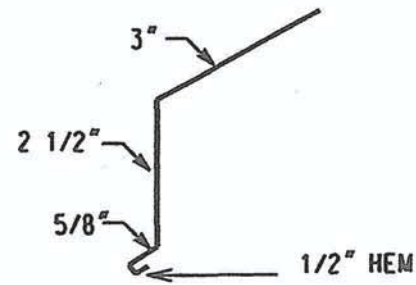
**RC-1 RIDGE / HIP**  
9 3/4" CUT



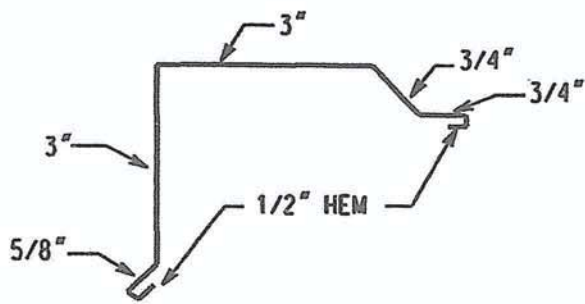
**RC-2 RIDGE / HIP**  
20" CUT



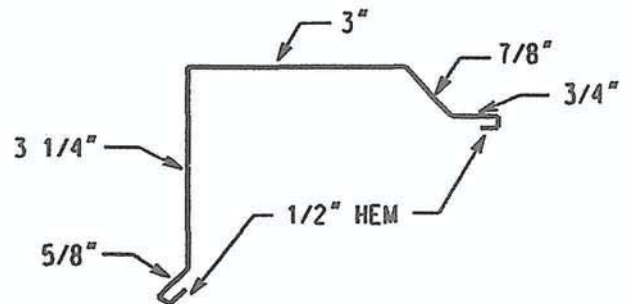
**RC-3 RIDGE CAP**  
14" CUT



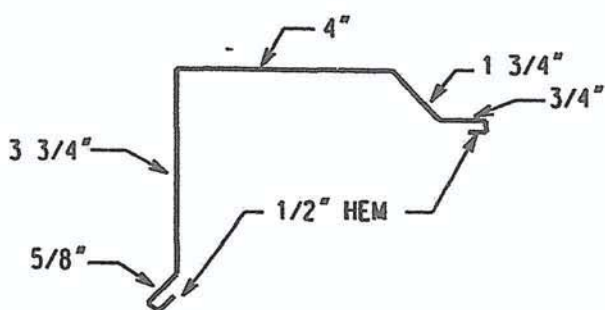
**EF-1 EAVE TRIM**  
6 5/8" CUT



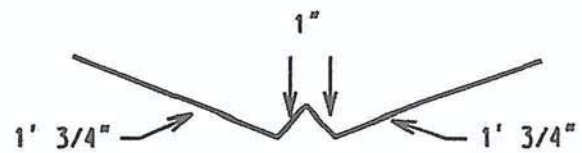
**GR-1 GABLE/RAKE TRIM**  
9 1/8" CUT/ "5V-CRIMP"



**GR-2 GABLE/RAKE TRIM**  
9 1/2" CUT/ "MAR-RIB"

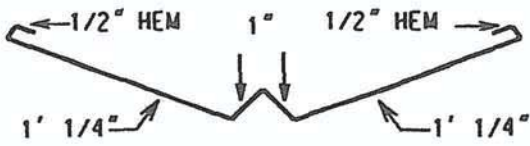


**GR-3 GABLE/RAKE TRIM**  
11-7/8" CUT/ "PBR"

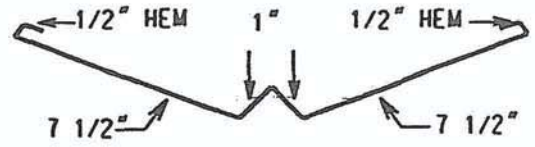


**PV-1 VALLEY TRIM**  
27 1/2" CUT

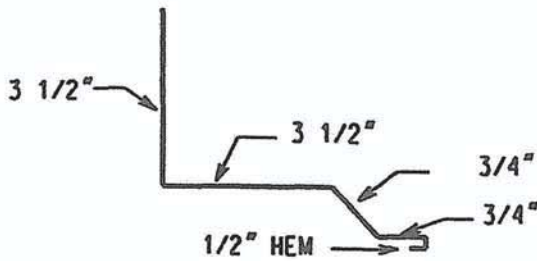
## STANDARD TRIM DETAILS



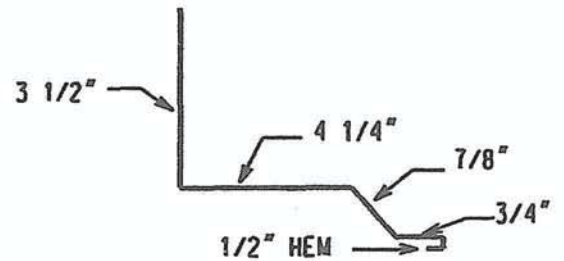
**PV-2 VALLEY TRIM**  
27 1/2" CUT



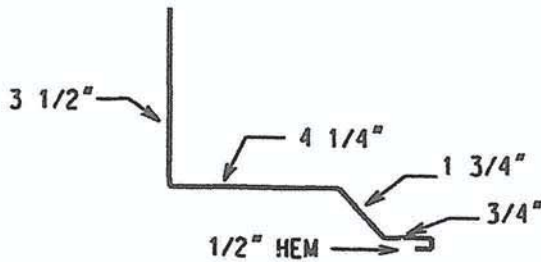
**PV-3 VALLEY TRIM**  
18" CUT



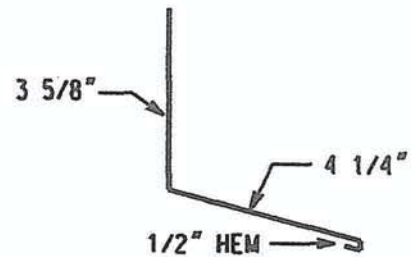
**SW-1 SIDEWALL TRIM**  
9" CUT/ "5V-CRIMP"



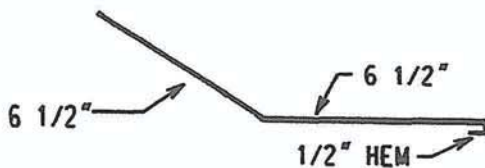
**SW-2 SIDEWALL TRIM**  
9 7/8" CUT/ "MAR-RIB"



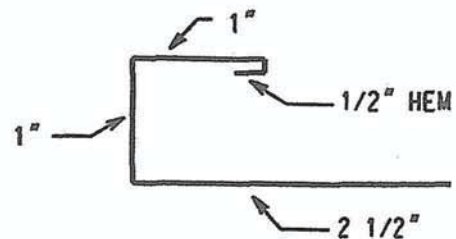
**SW-3 SIDEWALL TRIM**  
10 3/4" CUT/ "PBR"



**EW-1 ENDWALL TRIM**  
8 3/8" CUT



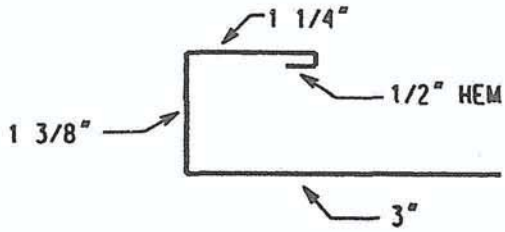
**TF-1 TRANSITION TRIM**  
13 1/2" CUT



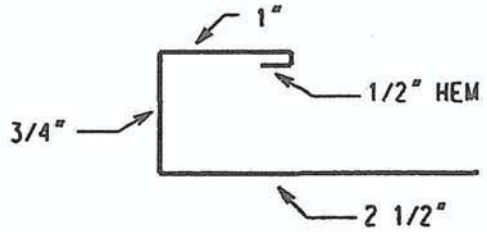
**JC-1 J-TRIM**  
5" CUT/ "MAR-RIB"



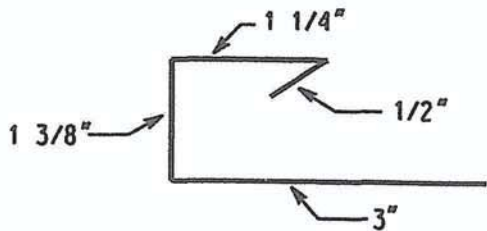
# STANDARD TRIM DETAILS



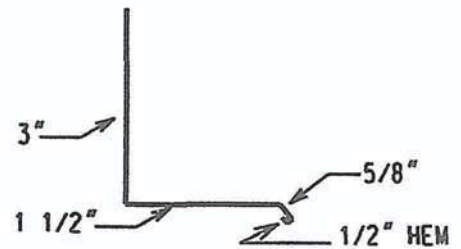
JC-2 J-TRIM  
6 1/8" CUT/ "PBR"



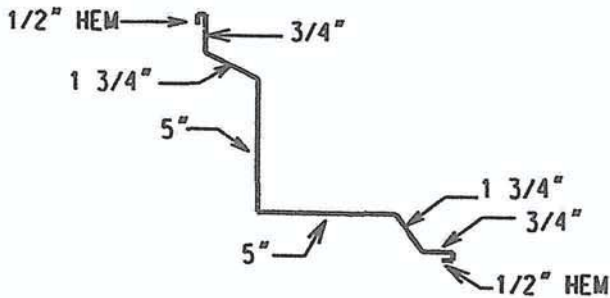
JC-3 J-TRIM  
4 3/4" CUT/ "5V-CRIMP"



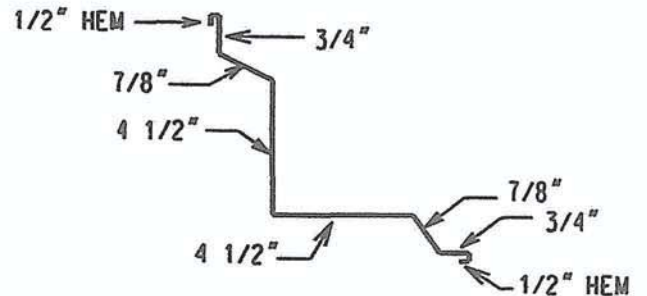
JT-1 JAMB TRIM  
6 1/8" CUT/ "PBR"



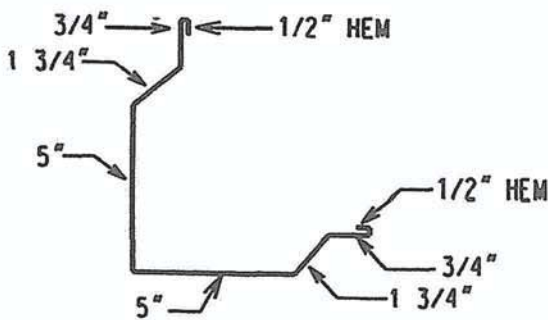
BT-1 BASE TRIM  
5 5/8" CUT



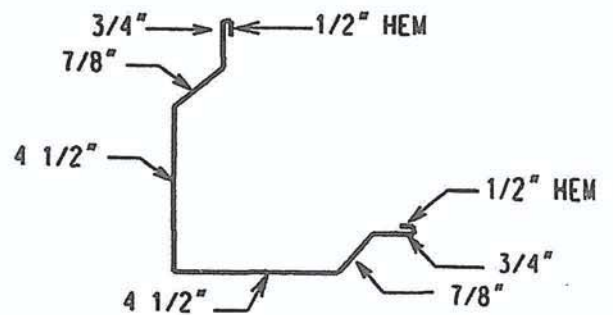
IC-1 INSIDE CORNER  
16" CUT/ "PBR"



IC-2 INSIDE CORNER  
13 1/4" CUT/ "MAR-RIB"

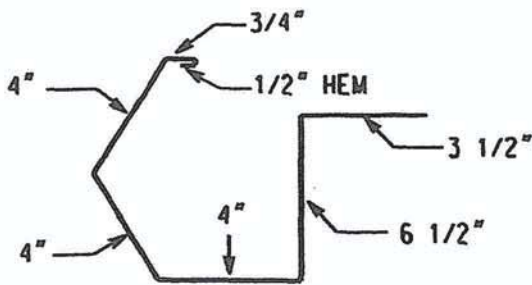


CT-1 O.S. CORNER  
16" CUT/ "PBR"

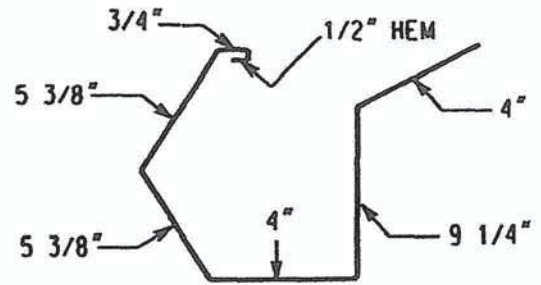


CT-2 O.S. CORNER  
13 1/4" CUT/ "MAR-RIB"

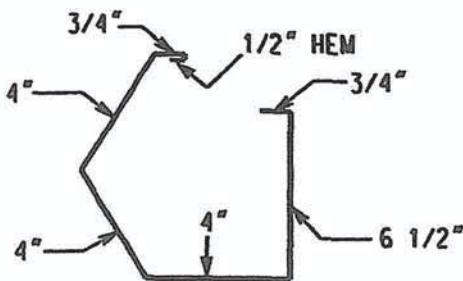
# STANDARD TRIM DETAILS



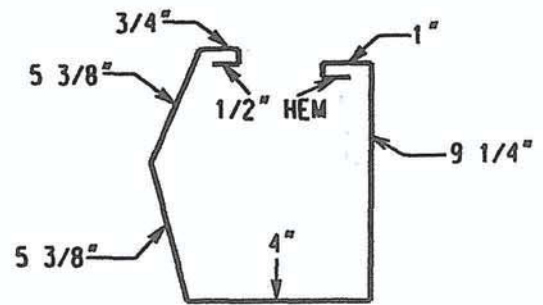
SG-1 SCULPTURED EAVE GUTTER  
23 1/4" CUT



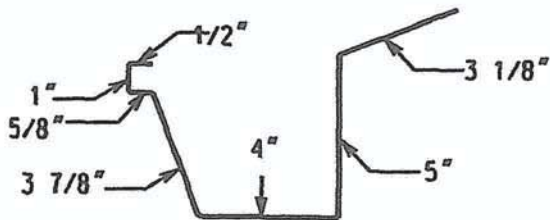
SG-2 SCULPTURED EAVE GUTTER  
29 1/4" CUT



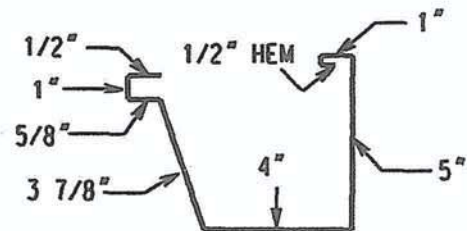
SG-3 SCULPTURED H.O. GUTTER  
20 1/2" CUT



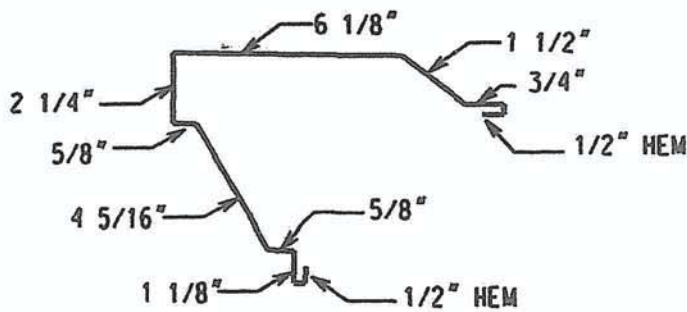
SG-4 SCULPTURED H.O. GUTTER  
26 3/4" CUT



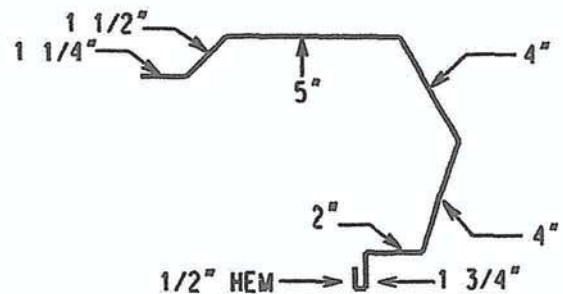
EG-1 EAVE GUTTER  
18 1/4" CUT



HG-1 HANG ON GUTTER  
16 1/2" CUT

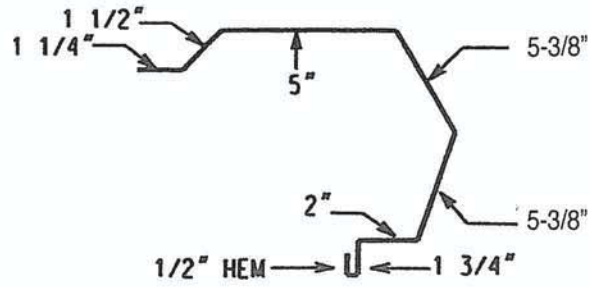


SD-1 STEP DOWN RAKE  
18 5/16" CUT

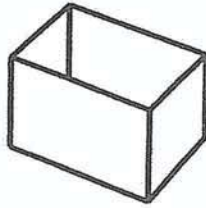


SR-1 SCULPTURED RAKE  
20" CUT

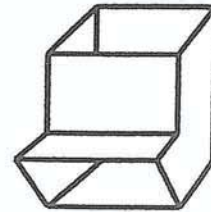
## STANDARD TRIM DETAILS



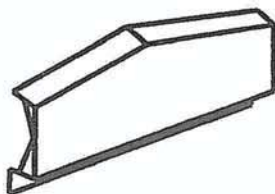
SR-2 SCULPTERED RAKE  
22-3/4" CUT



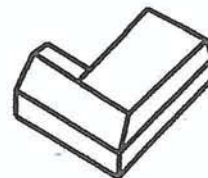
DOWNSPOUT  
4" X 5"  
3" X 4"



KICKOUT



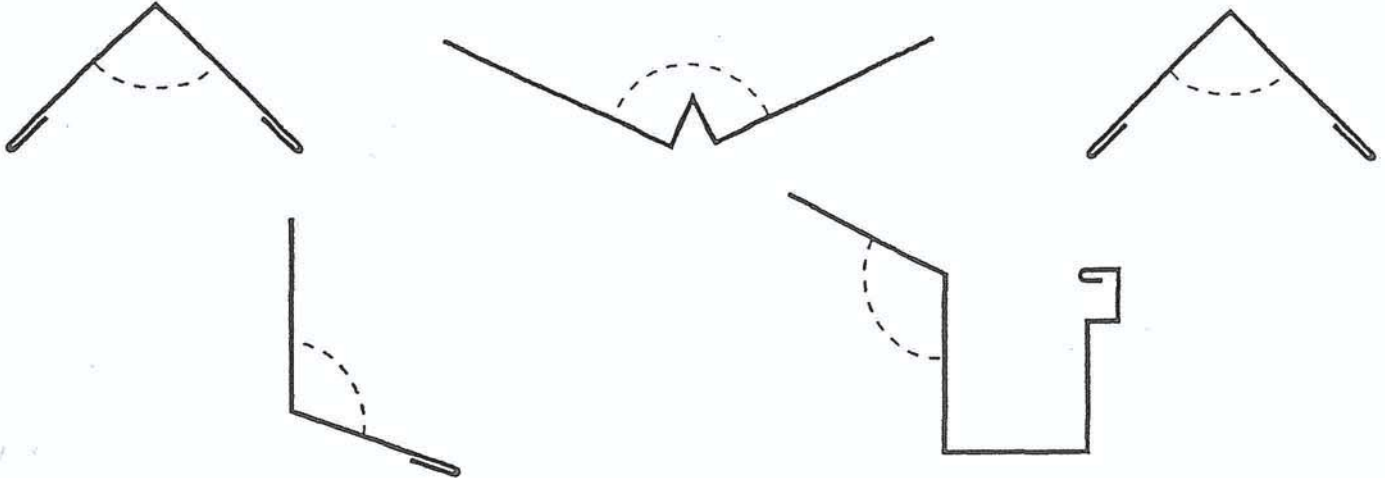
PEAK BOX



CORNER BOX



ANGLE/PITCH CHART FOR HIP, VALLEY, RIDGE  
GUTTER AND PITCH BREAK TRIM



	ROOF SLOPE											
	1:12	2:12	3:12	4:12	5:12	6:12	7:12	8:12	9:12	10:12	11:12	12:12
HIP AND VALLEY	173°	166°	160°	154°	148°	143°	138°	133°	129°	126°	123°	120°
RIDGE	170°	161°	152°	143°	135°	127°	120°	113°	106°	100°	95°	90°
GUTTER AND PITCH BREAK	94°	99°	104°	108°	112°	116°	120°	123°	126°	129°	132°	135°

HELPFUL FORMULAS

Rise And Run	Multiply Flat area By	LF of Hips or Valleys per LF of Common Run	Dec. Fraction of a Foot
1 in 12	1.004	1.417	Inch Fraction 1" .083
2 in 12	1.014	1.424	2" .167
3 in 12	1.031	1.436	3" .250
4 in 12	1.054	1.453	4" .333
5 in 12	1.083	1.474	5" .417
6 in 12	1.118	1.500	6" .500
7 in 12	1.158	1.530	7" .583
8 in 12	1.202	1.564	8" .677
9 in 12	1.250	1.600	9" .750
10 in 12	1.302	1.641	10" .833
11 in 12	1.357	1.685	11" .917
12 in 12	1.413	1.732	12" 1.00

Roof Calculator

Pitch = (Rise / ½ of Span) x 12  
Sloping Length = ½ Span x Flat area factor

